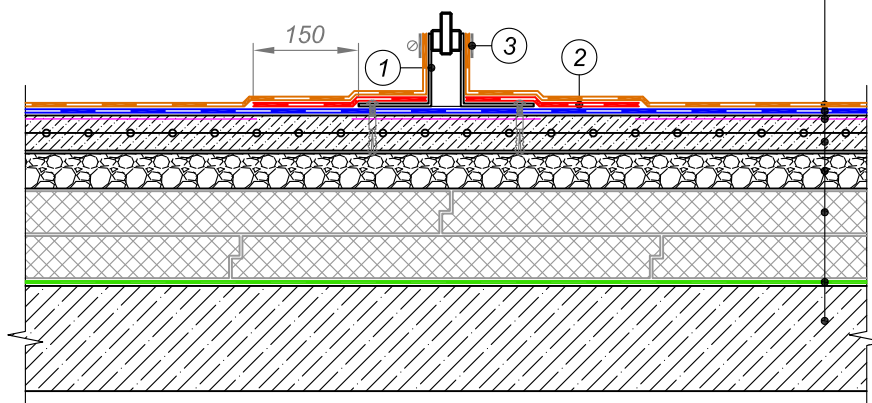
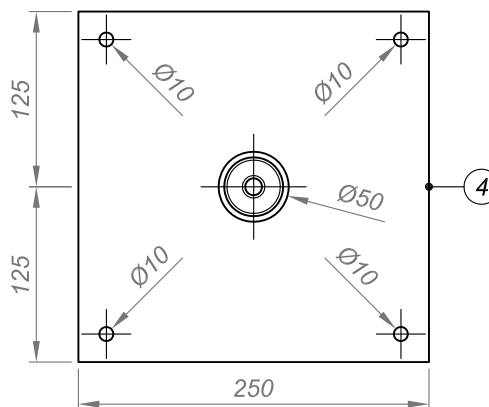
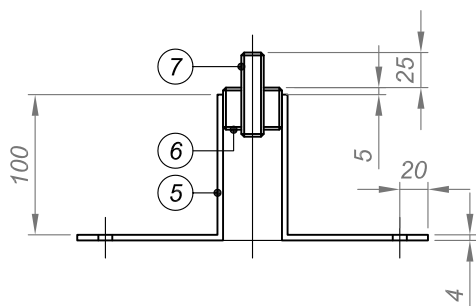




Cap sheet torch-on bitumen membrane
Underlay torch-on bitumen membrane
Bitumen primer TECHNICAL No. 01
Reinforced sand-cement screed
Sloping of expanded clay gravel
Extruded polystyrene
TECHNONICOL CARBON PROF 300
Vapour barrier
Reinforced concrete foundation



Embedded element for anchor, antenna bracing or equipment



- ① Embedded element
- ② Additional layer of waterproofing membrane - Underlay bitumen membrane
- ③ Steel plate
- ④ Compression metal clamp
- ⑤ Steel pipe 50 mm in diameter
- ⑥ Steel stud M16x70
- ⑦ Metal embedded element with external and internal thread

REV.	DATE	DESCRIPTION	CHECKED	EXPOSED FLAT ROOF	DESIGN	APPROVED
				FASTENING OF EMBEDDED ELEMENT FOR ANCHOR, ANTENNA BRACING OR EQUIPMENT	SCALE	DATE
					DWG No.	REV.