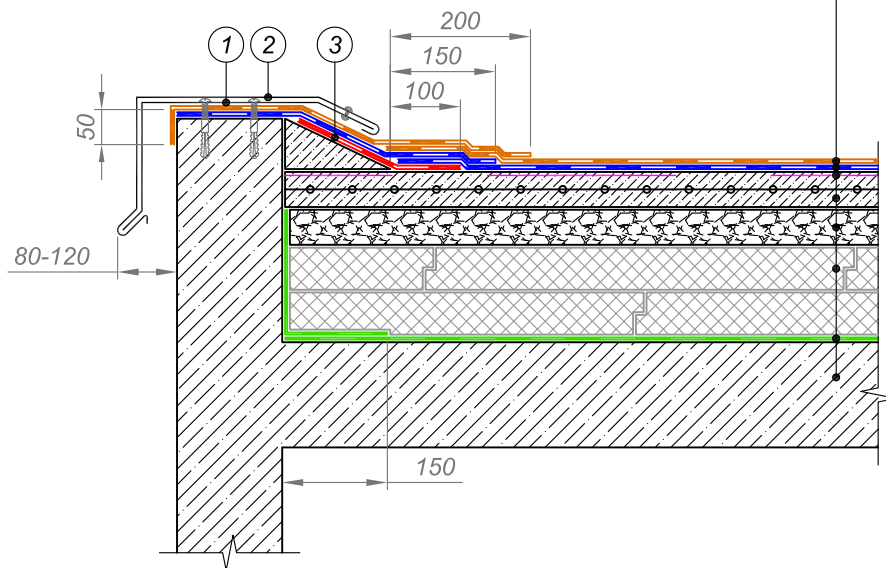
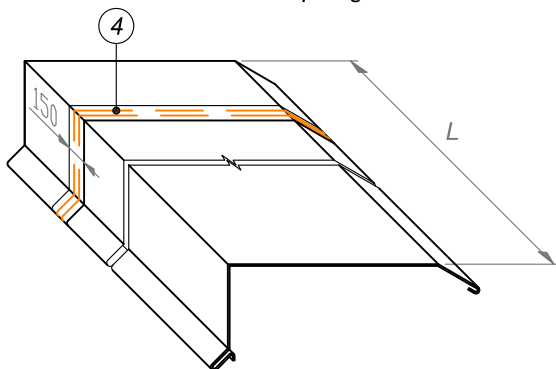




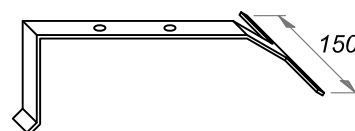
Cap sheet torch-on bitumen membrane
Underlay torch-on bitumen membrane
Bitumen primer TECHNOMICOL No. 01
Reinforced sand-cement screed
Sloping of expanded clay gravel
Extruded polystyrene
TECHNICOL CARBON PROF 300
Vapour barrier
Reinforced concrete foundation



Galvanized steel drip edge



Fastening element



- ① Fastening elements to be placed at 600 mm intervals
- ② Galvanized steel drip edge (section length L not more than 4000 mm)

- ③ Additional layer of waterproofing membrane - Underlay bitumen membrane
- ④ At the place of drip edge sections junction to apply two paths of sealing mastic

				EXPOSED FLAT ROOF	DESIGN	APPROVED
				CONJUGATION OF ROOF WITH OUTSIDE WALL WITHOUT ARRANGEMENT OF PARAPET	SCALE	DATE
REV.	DATE	DESCRIPTION	CHECKED		DWG No.	REV.