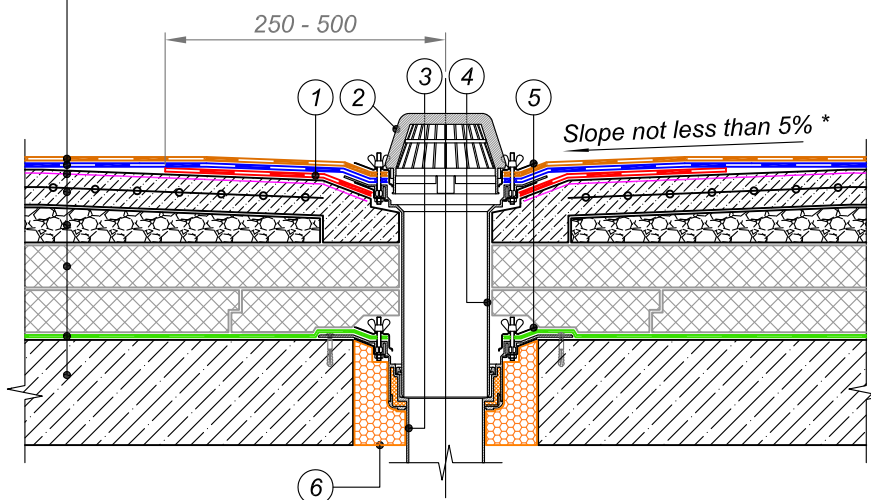




Cap sheet torch-on bitumen membrane
Underlay torch-on bitumen membrane
Bitumen primer TECHNICAL No. 01
Reinforced sand-cement screed
Sloping of expanded clay gravel
Extruded polystyrene
TECHNICAL CARBON PROF 300
Vapour barrier
Reinforced concrete foundation



- ① Additional layer of underlay waterproofing bitumen membrane
- ② Gutter leaf debris trap
- ③ Rainwater funnel
- ④ Extension element
- ⑤ Compression flange
- ⑥ Sealing foam

NOTES

* To provide for increase in slope to the funnel up to 5% within radius of not less than 500 mm around it. It is recommended to provide for the funnel deepening by 20-30 mm relative to the roof level.

				EXPOSED FLAT ROOF	DESIGN	APPROVED
				RAINWATER FUNNEL	SCALE	DATE
REV.	DATE	DESCRIPTION	CHECKED		DWG No.	REV.